

Mini-Turbo Hybrid-MTH-43

Owners Manual

Specification:

- Designed for cleaning ceramic tile and grout with your truckmount or high pressure portable.
- Brush attachment allows for use on other flooring, counter tops and walls.
- Lightweight but solid, resistant to impact, no wheels to restrict travel in all directions.
- Fiber reinforced shell.
- Extra long life boot with NEW brush attachment.
- Operating pressure range 500 to 2500 psi.
- Water temp. up to 230°



TF TURBO
FORCE
INTERNATIONAL

John 14:6

Mini-Turbo Hybrid-MTH-43

Owners Manual

Limitation of Liability

Turbo Force International's (T.F.I.) liability on any claim for loss or damage connected with the supplying of goods, or their sale, resale, operation, or use, warranty, tort (including negligence) or other grounds, shall not exceed the price allowable to such goods or part thereof involved in any claim.

T.F.I shall not under any circumstances be liable for any labor charges, special or consequential damages including, but not limited to, bodily injury, loss of profits or revenues, loss of use of any product or associated product, cost of capital, cost of substitute products, facilities or services, downtime costs or costs of claims arising from Buyer or Buyer's customers.

Any technical advice or assistance furnished by Turbo Force International which concerns any goods supplied here under, will not subject T.F.I to any liability, whether based on contract, warranty tort (including negligence) or other grounds.

***Do not put your hands under the deck while the tool is in use and after the trigger handle is released (wait 2 minutes for the spray bar to completely stop) failure to do so can cause serious injury and Turbo Force International will not be held liable for disregarding this warning which results in any but not limited to injuries, damage, loss of limbs and or life.**

Warranty:

Turbo-Force International warrants that its product(s) (the Product) shall be free from defects in materials and workmanship under normal use, installation and maintenance in accordance with T.F.I. specifications for a period of 1 year from the date of purchase. If any failure to conform to this warranty is reported to T.F.I. within 1 year from the date of purchase by the original buyer, T.F.I., upon being satisfied of the existence of such non-conformity, will, with exclusions (wear and tear) etc., correct same at its discretion by repairing or replacing the Product.

Exclusions:

The swivel (T-8) is a sealed item it will not be covered if factory seal is broken from improper adjustment or installation. There is no warranty against wear. Vacuum hoses, high pressure lines, and fittings are not covered under this warranty.

This warranty does not cover damage resulting from mishandling in transit, vandalism, misuse, abuse, neglect, alteration, dismantling, excess heat, acts of God or failure to exercise reasonable care in using or maintaining the Product,. This warranty applies only to the original purchaser / owner of the Product. Original sales receipt / sales contract is required to validate warranty. To obtain service under this warranty, contact your dealer.

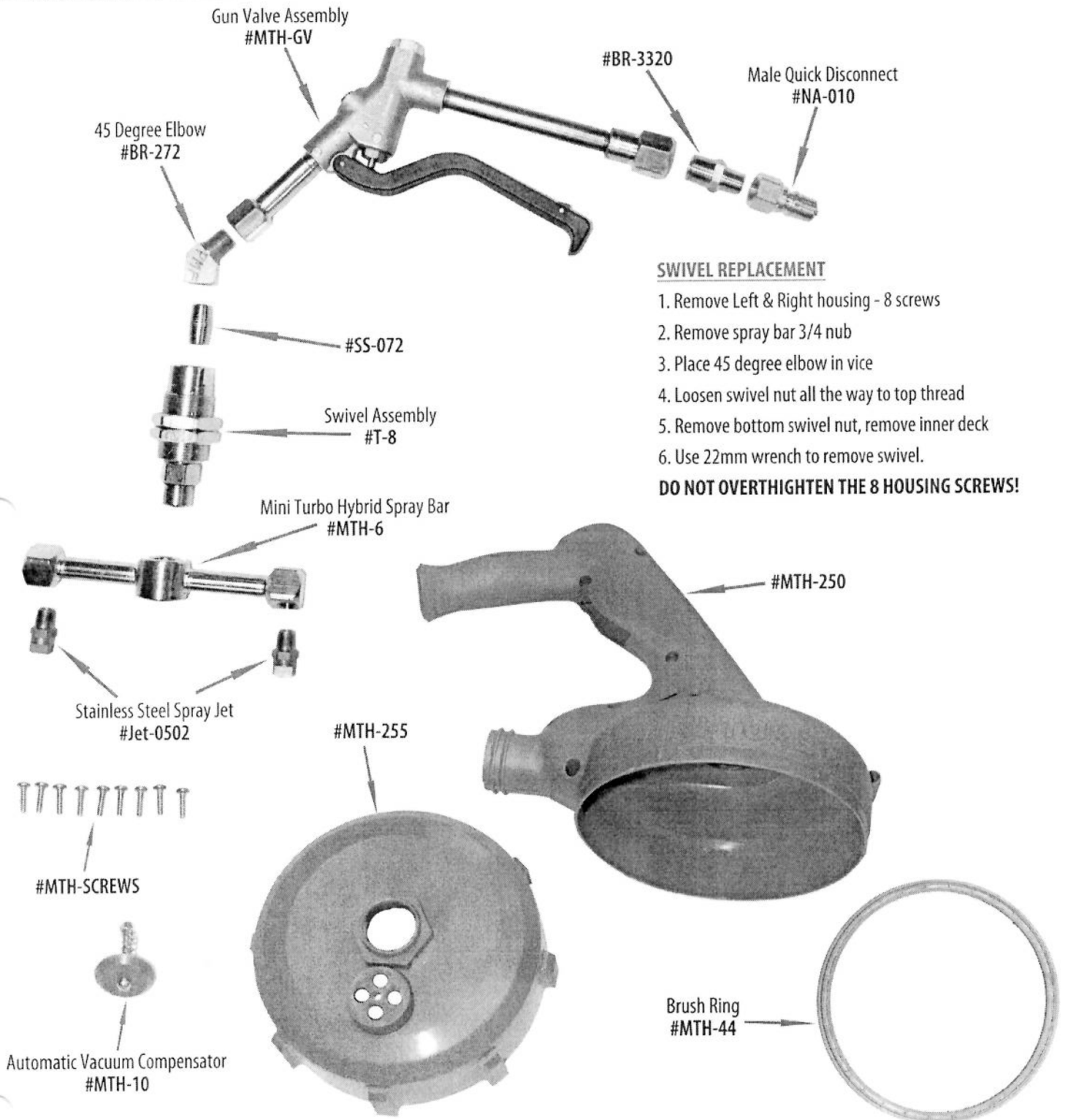
This warranty is in lieu of and excludes all other warranties, express or implied, arising by operation of law or otherwise, including any warranty of merchantability or fitness for particular purpose or otherwise, and no representation of warranty, expressed or implied, made by any sales representative or other agent of T.F.I. . In no event shall T.F.I. be liable for incidental or consequential damages.

This warranty gives you specific legal rights which may vary from state to state.

Mini-Turbo Hybrid-MTH-43

Owners Manual

Replacement Parts



SWIVEL REPLACEMENT

1. Remove Left & Right housing - 8 screws
2. Remove spray bar 3/4 nub
3. Place 45 degree elbow in vice
4. Loosen swivel nut all the way to top thread
5. Remove bottom swivel nut, remove inner deck
6. Use 22mm wrench to remove swivel.

DO NOT OVERTIGHTEN THE 8 HOUSING SCREWS!