

New Equipment Warranty

Limited Warranty

Sandia Products warrants new equipment against defects in material and workmanship under normal use and service to the original purchaser. Any statutory implied warranties, including any warranty of merchantability or fitness for a particular purpose, are expressly limited to the duration of this written warranty. Sandia Products will not be liable for any other damages, including but not limited to indirect or special consequential damages arising out of or in connection with the furnishing, performance, use or inability to use the machine. This remedy shall be the exclusive remedy of the purchaser. The warranty period is subject to the conditions stated below.

Lifetime Warranty on Body, 2-Years on Vacuum Motors, 1-Year on 500 PSI Pump, 90-Days on Tools and Accessories

Sandia Products warrants the roto-molded body to be free from defects in material and workmanship, under normal use and service for a lifetime. Sandia Products warrants the motors to be free from defects in material and workmanship, under normal use and service for two (2) years from the original date of sale and the pump and the electrical parts for one (1) year. Parts replaced or repaired under this warranty are warranted for the remainder of the original warranty period. Service labor charges are covered for one (1) year from the date of purchase, when performed by a manufacturer-authorized service provider.

Labor is only provided by authorized service centers. If an authorized service center is not near you, it is the purchaser's responsibility to take their machine to an authorized service center.

Normal wear items such as capacitors, cords, finishes or switches will be warranted for manufacturing defects for ninety (90) days from the purchase date.

All warranties of motors and associated components will be voided: if the machine is serviced by anyone other than an authorized service provider; if the machine is mechanically modified; if the machine is operated when not operating properly; or if the machine is misused or abused.

The warranty starts on the purchase date by the original purchaser from Sandia Products subject to proof of purchase. The Machine Registration Card must be completed and returned immediately at the time of purchase. Registration may also be performed online at: www.sandioplastics.com/registration.aspx. If proof of purchase cannot be identified, the warranty start date is ninety (90) days after the inventory stocking date at the distributor's warehouse.



Ultimate Solutions Corporate Office
15571 Container Lane, Huntington Beach, CA 92649
Phone: 800-983-5834 | Fax: 714-901-8404
www.us-group.com | www.sandioplastics.com

Make a copy of this card for future reference.

Copyright © 2016 Ultimate Solutions | Sandia Products. All Rights Reserved.

SAFETY, OPERATION AND MAINTENANCE MANUAL WITH PARTS LIST

Please read before use!

500 PSI, DUAL 2-STAGE AND 3-STAGE MOTORS

Heated and Non-Heated Units



ACTIVATE
YOUR
WARRANTY!

Models:

80-2500

80-2500-H

80-3500

80-3500-H



Manufactured with
Pride in the U.S.A.



**ULTIMATE
SOLUTIONS**
Together We're Better!

IMPORTANT INFORMATION AND SAFETY INSTRUCTIONS

Register your Machine Online or Return your Machine Warranty Card!

Serial No: _____

Another Innovative
Product from

Sandia
PRODUCTS

Your Ultimate Choice in
Profitable Cleaning Performance!

SNIPER 12-GALLON CARPET EXTRACTOR
Heated and Non-Heated Units



Dear Valued Client,

Congratulations on the purchase of your 12-Gallon Carpet Extractor! The world of carpet cleaning is becoming more high-tech and competitive and we strive to provide you with the most innovative products. Our Carpet Extractor is yet another example of this, bringing a new dimension to restoration and carpet cleaning.

Please review this manual, paying careful attention to the Safety Instructions Section. Keep in mind that any unnecessary damage, neglect or abuse of this machine will void your warranty. You can be confident that simple maintenance will ensure that your Carpet Extractor provides quality performance for many years to come.

If warranty questions arise, please consult your manual or contact your distributor. Should you have any questions regarding maintenance, replacing parts or ordering parts, please call an authorized distributor.

Before you begin using your Carpet Extractor, thoroughly review the Owner's Manual.

Again, congratulations on the purchase of your 12-Gallon Carpet Extractor!

Equipment Videos

Machine Training: www.sandioplastics.com/equipmentVideos.aspx

Machine Features and Benefits: www.sandioplastics.com/featuresVideos.aspx

Questions or Comments?

Phone: 714-901-8400

Toll Free: 800-983-5834

Fax: 714-901-8404

Ultimate Solutions Corporate Offices:

15571 Container Lane, Huntington Beach, CA 92649

Visit our website at: www.sandioplastics.com

Register your machine online at: www.sandioplastics.com/registration.aspx



ACTIVATE YOUR WARRANTY!

Please take a moment to register your machine. Fill out the information below and mail back to Sandia Products immediately.

The warranty starts on the purchase date by the original purchaser subject to proof of purchase. This Machine Registration Card must be completed and returned immediately at the time of purchase. If proof of purchase cannot be identified, the warranty start date is ninety (90) days after the inventory stocking date at the distributor's warehouse.

Your machine may also be registered online at:

www.sandioplastics.com/registration.aspx

Machine Model _____ Purchase Date _____

Motor Type _____ Serial No. _____

Place of Purchase _____

Shipped To _____

Your Name _____ Phone _____

E-mail _____ Fax _____

Address Line 1 _____

Address Line 2 _____

City _____ State _____ Zip _____

Comments:

Mail to:
Ultimate Solutions Corporate Offices
15571 Container Lane
Huntington Beach, CA 92649

**See reverse side for Warranty Information.
Make a copy of this card for future reference.**

Copyright © 2016 Ultimate Solutions | Sandia Products. All Rights Reserved.

SNIPER 12-GALLON CARPET EXTRACTOR

By Ultimate Solutions | Sandia Products

Please fill out the following information:

Model No: _____

Serial No: _____

Distributor Name: _____

Distributor Phone No: _____

Date of Purchase: _____



Ultimate Solutions
Our Family of Companies
TOGETHER WE'RE BETTER!



Ultimate Carpet Solutions
www.sandioplastics.com



Ultimate Hard Floor Solutions
www.mercuryfloormachines.com



Ultimate Cleaning Solutions
www.ultimatesolutionsinc.net



Table of Contents

Returned Material Authorization (RMA) Procedure	3
New Equipment Warranty	4
1.0 Safety Instructions	5
2.0 Grounding Instructions	6
3.0 Care of your Carpet Extractor	7
4.0 Set-Up and Operation	7
5.0 Maintenance	8
6.0 Shutdown Procedures	12
7.0 Storing your Carpet Extractor	13
8.0 Trouble Shooting Guide	14
9.0 Machine Wiring Diagrams	15
10.0 Machine Schematic Drawing - No Heater	16
11.0 Machine Parts List - No Heater	17
12.0 Machine Schematic Drawing - Heated Unit	19
13.0 Machine Parts List - Heated Unit	20

New Equipment Warranty

Lifetime on body, 2-years on vacuum motors, 1-year on 500 PSI pump and all electrical components, 90-days on tools and accessories.

Warranty Policy

All equipment is inspected and tested before shipping from the manufacturer. All parts are warranted to be new and free from defects in workmanship and material, under normal use to the original retail purchaser. This warranty limits manufacturer's liability for defects in workmanship or materials for replacement of defective parts only. The manufacturer accepts no liability for incidental or consequential damages arisen from the use of any equipment, defective or not. This warranty is in lieu of all expressed or implied warranties and is extended only to the original retail purchaser. Manufacturer sales and service representatives are not authorized to waive or alter the terms of this warranty, or to increase the obligations of the manufacturer under the warranty. Parts replaced or repaired under this warranty are warranted for the remainder of the original warranty period.

Labor is only provided by authorized service centers. If an authorized service center is not near you, it is the purchaser's responsibility to take their machine to an authorized service center.

The manufacturer covers up to one (1) year (365 days) of service labor at the manufacturer's calculated hourly labor rate/repair time when performed by a manufacturer-authorized service provider. Ultimately, labor reimbursement costs are at the discretion of the manufacturer. At no time is the manufacturer responsible for travel time to complete on-call repairs. After one (1) year, the original retail purchaser is responsible for all labor costs with no manufacturer reimbursement.

The original purchaser must contact the manufacturer to follow correct RMA/warranty procedures. They must include a copy of the RMA Sheet enclosed in the box with the returned item. No returns shall be authorized unless the proper RMA procedures are followed. It is the responsibility of the distributor to repair the client's equipment as soon as possible.

The manufacturer charges a 25% restocking fee for any items that are being returned to stock. Items must be new, unused, free of damage and are only good for up to 30 days. After 30 days, the manufacturer does not accept the return of any items for a store credit.

Authorized warranty replacement parts need to come directly from the manufacturer. Any use of any other parts will void warranty. The manufacturer does not reimburse for parts used by client that were not supplied directly for the machine under warranty.

The client must contact the manufacturer prior to working on or changing out of any parts, etc. The manufacturer must issue an RMA Sheet containing approved labor time and replacement parts. Do not send parts or equipment back to the manufacturer without an RMA Number and approval. No labor will be paid for, nor parts cost paid for or reimbursed, that have not previously been approved by the manufacturer. All warranty work must be approved and authorized to qualify, and appropriate warranty procedures must be followed.

The warranty starts on the purchase date by the original purchaser from an authorized distributor, subject to proof of purchase. The Machine Registration Form must be completed and sent to the original manufacturer at the time of purchase. If proof of purchase cannot be identified, the warranty start date is ninety (90) days after the date of sale to an authorized distributor.

Activate your Warranty: www.sandioplastics.com/registration.aspx

13.0 Machine Parts List – Heated Unit Continued

Drawing No.	Item ID	Item Description	Qty.
50	10-0835-N	Nut for Pump Bolt on Extractor	8.00
51	10-0808	Caster	2.00
52	10-0816	Caster Bolt 1/4-20 x 1/2 Hex Bolt	12.00
53	80-0040	3000 PSI Hose for Inside Extractor	4.75
54	80-0040	3000 PSI Hose for Inside Extractor	4.75
55	80-0040	3000 PSI Hose for Inside Extractor	4.75
56	10-0835-N	Nut for Pump Bolt on Extractor	4.00
57	Pump Fitting	Part of 80-0016 Pump	1.00
58	Pump Fitting	Part of 80-0016 Pump	1.00
59	80-0015	500 PSI Pump Mount Plate	1.00
60	10-0833	Motor Manifold Bolts	4.00
61	Pump Hose A	Part of 80-0016 Pump	1.00
62	Pump Fitting	Part of 80-0016 Pump	1.00
63	Pump Hose B	Part of 80-0016 Pump	4.00
64	10-0881	1/4" MNPT x 3/8" JIC 90 Degree	1.00
65	80-0016	500 PSI Pump	4.00
66	10-0835-B	Pump Bolt 200 PSI Extractor	4.00
67	10-0400-D	Keeper for Extractor Latch	1.00
68	10-0832	S/R Strap Bolts	4.00
69	10-0843	3/8" Black Hose	6.00
70	80-0019	1/4 MNPT x 1/2 BARB 90 Degree	1.00
71	80-0017	Bulk Head Fitting	3.00
72	10-0379	8-32 x 3/8 Screw	8.00
73	10-0400-C	Latch	1.00
74	10-0868	1/4" Female QD	1.00
75	10-0831	S/R Bracket	2.00
76	10-0801-I	90 FPT	1.00
77	10-0878-B	1/4" MPT x 3/8" MJIC	1.00
78	10-0814-B	Manual Sensor for Heater	2.00
79	10-0852	1/4" 90 Degree Brass Elbow	1.00
80	10-1500-A	Heater Element 1000 Watt	2.00
81	10-0814	Sensor for Extractor Heater	4.00
82	10-0921	Aluminum Box for Dual Rod Heater	1.00
83	10-0901-A	600 PSI Relief Valve for Heater	1.00
84	10-0920	Dual Rod SS Heat Exchanger Tube	1.00
Not Shown	80-0280-C2100H/3100H	Extractor Wiring Harness	1.00

13.0 Machine Parts List – Heated Unit

Drawing No.	Item ID	Item Description	Qty.
1	SN-12-ST-USIBLUE	12-Gallon Solution Tank - Ultimate Blue	1.00
2	80-0017	Part of the Bulkhead Fitting	1.00
3	80-0017	Part of the Bulkhead Fitting	1.00
4	10-0846	1/4" MPT Hex Nipple	1.00
5	10-0845	1/4" Strainer	2.00
6	80-0011	90 Degree Street Elbow	1.00
7	80-0016-REG	500 psi Regulator	1.00
8	80-0026	3/8 Barb x 1/4 MPT 90 Degree	3.00
9	10-0826	3/4" Hose Clamp	5.00
10	80-0001	Extractor Exhaust Hose	0.40
11	80-0003-A	1-1/2" Black Lined Gray Hose	2.00
12	10-0806	1-1/2" Grey Hose Barb Fitting	1.00
13	Bracket	Part of 80-0016 Pump	1.00
14	80-0006	45 Degree Street Elbow	1.00
15	80-0011	90 Degree Street Elbow	1.00
16	10-0803-H	Splashproof Heater Switch	1.00
16	10-0803	Splashproof Switch	2.00
17	80-0059	500 PSI Gauge	1.00
18	80-0013	500 PSI Switch Plate	1.00
19	Connector	Part of 80-0059 Gauge	1.00
20	SN-12-L-USIBLUE	12-Gallon Lid - Ultimate Blue	1.00
21	80-0010	1/4" Brass Tee	2.00
22	80-0011-2	90 Degree Street Elbow	1.00
23	80-0004	1/4" x 4" Brass Nipple	1.00
24	10-0852	1/4" 90 Degree Brass Elbow	3.00
25	10-0804-A	Hatch Cover Gasket	1.00
26	10-0804	Hatch Cover	1.00
27	80-0012	Float Assembly	1.00
28	10-0416-A	1-1/2" Black ABS Stand Pipe	1.30
29	80-0008	1.5 PVC Female Adapter	1.00
30	SN-12-RT-USIBLUE	12-Gallon Recovery Tank - Ultimate Blue	1.00
31	10-0805	Dump Valve	1.00
32	10-0849	1-1/2" ABS Fitting	1.00
33	10-0155	Hose Cuff Straight	1.00
34	10-0848-B	1-1/2" 90 Degree ABS Street Elbow	3.00
35	10-0833	Motor Manifold Bolts	6.00
37	10-0811	2-Stage Extractor Motor	2.00
37	10-0810	3-Stage Extractor Motor	2.00
38	10-0838-A	Complete Pigtail	2.00
39	10-0850	Strain Relief for Pigtail - Part of 10-0838-A	2.00
39	10-0851	Strain Relief Nut for Pigtail - Part of 10-0838-A	2.00
40	10-0822	Exhaust Grate	3.00
41	10-1030-S2	2-Stage Extractor Motor Gasket	2.00
41	10-1030-S3	3-Stage Extractor Motor Gasket	2.00
42	SN-12-MFLD	Extractor Motor Manifold	2.00
43	10-0830	Hinge Keeper	2.00
44	10-0821	Extractor Hinge	2.00
45	10-0820	End Cap for Rod on Extractor	4.00
46	SN-12-MB-BLKGRAN	12-Gallon Motor Base - Black Granite	1.00
47	10-0836	19" Axle	1.00
48	10-0807	Wheels	2.00
49	10-0834	Pump Flat Washer	18.00

Returned Material Authorization (RMA) Policy

Original purchaser (distributor/service center) must contact the manufacturer to follow correct RMA/warranty procedures. Must include a copy of RMA Sheet enclosed in the box with returned item. No returns shall be authorized unless proper RMA procedures are followed. It is the responsibility of the distributor to repair the client's equipment as soon as possible. Labor is only provided by authorized service centers. If an authorized service center is not near you, it is the purchaser's responsibility to take their machine to an authorized service center.

Client must contact the distributor prior to working on or changing out any parts, etc. Manufacturer must issue an RMA Sheet containing approved labor time and replacement parts. Do not send parts or equipment back to manufacturer without an RMA number and approval. No labor will be paid for, nor part costs paid for or reimbursed that have not been previously approved by the manufacturer. All warranty work must be approved and authorized to qualify and appropriate warranty procedures must be followed.

1.0 Safety Instructions

READ THIS MANUAL BEFORE OPERATING MACHINERY. KNOW THE PROPER SET-UP, OPERATION, CORRECT APPLICATIONS AND THE LIMITATIONS OF THIS EQUIPMENT BEFORE USE.

This carpet extractor will afford you many years of trouble-free operating satisfaction, provided it is given the proper care. All parts have passed rigid quality control standards throughout the assembly process. Prior to packaging, your carpet extractor was again inspected for assurance of flawless operation.

This machine is protectively packed to prevent damage in shipment. We recommend that upon delivery, unpack the unit and inspect it for any possible damage. Only a visual inspection will reveal damage that may have occurred.

If damage is discovered, immediately notify the transportation company that delivered your equipment. As a shipper, we are unable to report any claim for damage. You must originate any claim within five (5) days.

This manual is for your protection and information. Please read carefully since failure to follow precautions could result in discomfort or injury.

Reduce the Risk of Fire, Electric Shock or Injury

Use only as described in this safety operating manual. Use only the manufacturer's recommended attachments, accessories, replacement parts and filters. Replace damaged or worn parts immediately with genuine, original equipment parts to maintain safety and to protect your limited warranty.

Always turn OFF the carpet extractor before connecting, disconnecting or working on the machine. This equipment must be connected to a properly grounded outlet only (see grounding instructions). Two (2) 25-foot, 12/3-gauge safety power cords are provided with this unit (dependent on the model) and MUST be used with this unit to ensure grounding protection. Turn off all controls before unplugging. Make sure the on/off switch is in the off position. This is not a toy. Close attention is necessary when used around or near children. Use extra care when cleaning on stairs.

1.0 Safety Instructions Continued

Reduce the Risk of Fire, Electric Shock or Injury.

- DO NOT leave the carpet extractor when plugged in. Unplug it from the outlet when not in use and before servicing.
- DO NOT use this carpet extractor with a damaged cord or plug. If the equipment is not working as it should because it has been dropped, damaged, left outdoors, etc., contact an authorized service center.
- DO NOT unplug the carpet extractor by pulling the cord. To unplug, grasp the plug, not the cord. DO NOT pull the unit by the cord, use the cord as a handle, close a door on the cord, or pull the cord around sharp edges or corners. Keep the cord away from heated surfaces. Lift using only the appropriate handles.
- DO NOT overstretch the safety power cord between the equipment and the electrical outlet in the wall.
- DO NOT tie an extension cord to the pigtail cord. This will damage the cord and will VOID your warranty.
- DO NOT handle the plug of the vacuum with wet hands.
- DO NOT move the machine up or down stairs with fluid in the machine.
- DO NOT pick up anything that is burning or smoking such as cigarettes, matches or hot ashes.
- DO NOT use the machine to pick up flammable or combustible liquids such as gasoline or use in areas where they may be present.
- DO NOT use where oxygen or anesthetics are used.
- DO NOT put objects into openings or use with any openings blocked. Keep free of dust, lint, hair and anything that may reduce air flow. Keep hair, loose clothing, fingers, and all body parts away from openings and moving parts to ensure safe operation.
- DO NOT use if any hoses or nozzles are damaged, cut or punctured.
- DO NOT expose to rain or use on wet surfaces, to avoid electric shock. Store indoors.
- DO NOT leave machine outdoors, in extreme heat or cold. Harsh weather elements will damage components and void warranty.
- DO NOT lubricate the motor. If the motor is lubricated, this will VOID your warranty.

2.0 Grounding Instructions

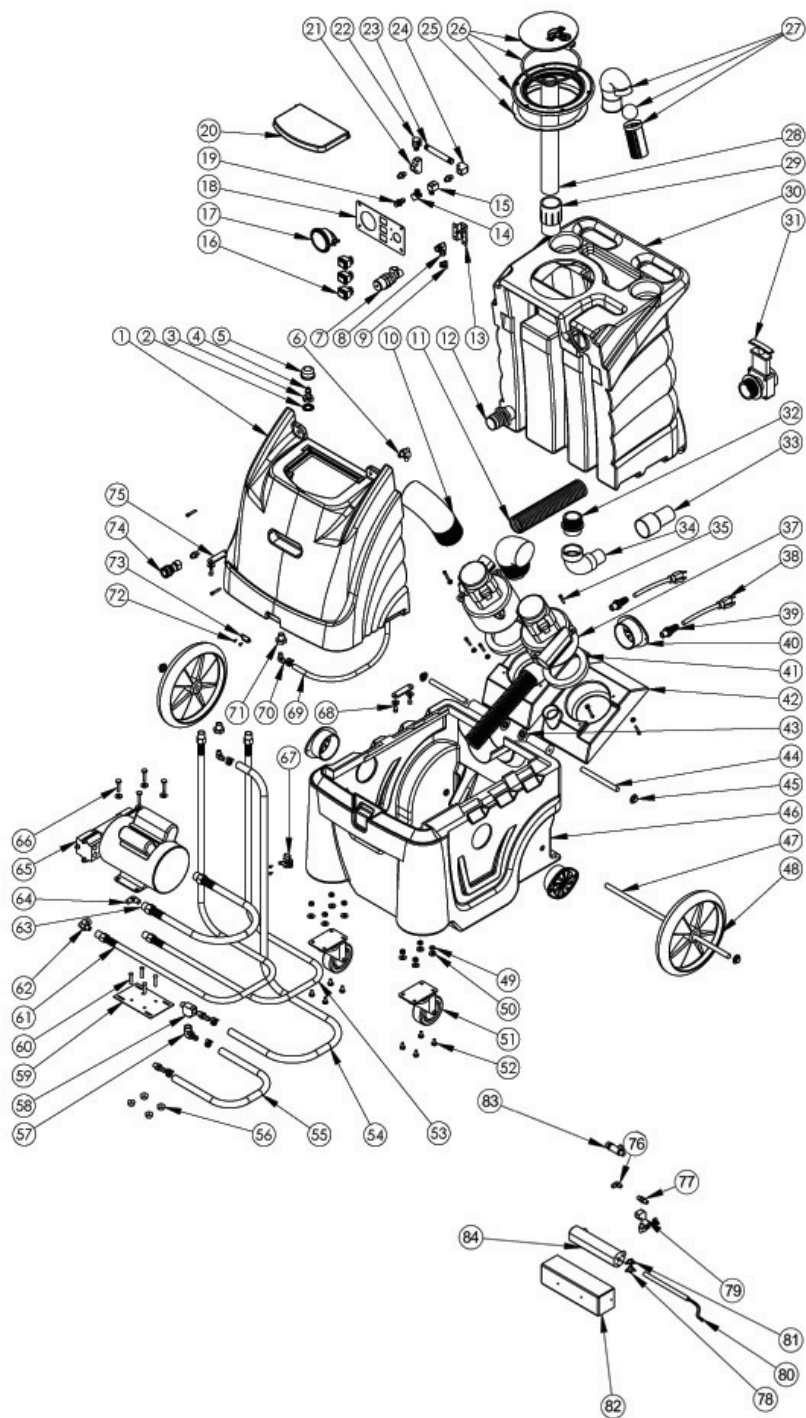
DANGER: IMPROPER INSTALLATION OF THE GROUNDING PLUG CAN RESULT IN A RISK OF ELECTRIC SHOCK!

This product must be grounded. In the event of an electrical short circuit, grounding reduces the risk of electric shock by providing an escape wire with an appropriate grounding plug. The plug must be plugged into an outlet that is installed properly and grounded in accordance with all local codes and ordinances.

Check with a qualified electrician or serviceman if the grounding instructions are not completely understood, or if in doubt as to whether the product is grounded properly. DO NOT modify the plug provided. If it will not fit into the outlet, have a proper outlet installed by a qualified electrician.

(6) Sniper 12-Gallon, 500 PSI Carpet Extractor

12.0 Machine Schematic Drawing – Heated Unit



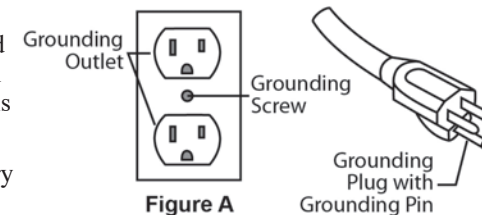
Sniper 12-Gallon, 500 PSI Carpet Extractor (19)

11.0 Machine Parts List – No Heater Continued

Drawing No.	Item ID	Item Description	Qty.
50	10-0835-N	Nut for Pump Bolt on Extractor	8.00
51	10-0808	Caster	2.00
52	10-0816	Caster Bolt 1/4-20 x 1/2 Hex Bolt	12.00
53	10-0843-COM	1/2" x 54" Clear Hose for Extractor Pump Includes Fittings and Filter	1.00
54	80-0040-C	46" of Blue 3000 PSI Hose for Extractor Complete with Fittings and Clamps	1.00
55	80-0044-S	30" Black Hose with Fittings and Clamps	1.00
56	10-0835-N	Nut for Pump Bolt on Extractor	4.00
57	Hose Fitting	Part of 80-0044-S	1.00
58	Hose Fitting	Part of 80-0040-C	1.00
59	80-0015	500 PSI Pump Mount Plate	1.00
60	10-0833	Motor Manifold Bolts	4.00
61	80-0044-L	67" Black Hose with Fittings and Clamps	1.00
62	Hose Fitting	Part of 80-0044-L	1.00
63	Hose Fitting	Part of 80-0044-S	1.00
64	10-0881	1/4" MNPT x 3/8" JIC 90 Degree Part of 80-0044-S	1.00
65	80-0016	500 PSI Pump	1.00
67	10-0400-D	Keeper for Extractor Latch	1.00
68	10-0832	S/R Strap Bolts	4.00
69	10-0040	3000 PSI Blue Hose - Part of 80-0040-C	6.00
70	80-0026	Part of 80-0040-C	1.00
71	80-0017	Bulk Head fitting	3.00
72	10-0379	8-32 x 3/8 Screw	8.00
73	10-0400-C	Latch	1.00
74	10-0868	1/4" Female QD	1.00
75	10-0831	S/R Bracket	2.00
Not Shown	80-0200-B-3100	Extractor Wiring Harness	1.00

2.0 Grounding Instructions Continued

This electric equipment is for use on a normal 120 volt circuit. It has a grounded plug that looks like the plug illustrated in (Fig A). The use of a temporary adaptor is NOT recommended.



NOTE: In Canada, the use of a temporary adaptor is not permitted by the Canadian Electrical Code.

3.0 Care of your Carpet Extractor

Treat your machine as you would any other high grade, precision made product. Dropping, unreasonable bumping across thresholds and other misuses may result in a damaged unit which will not be covered under warranty.

After each use, wipe the extractor body, accessories and power cord with a slightly damp cloth. When not in use, remove the power cord and hoses. Store in a dry area.

4.0 Set-Up and Operation

DO NOT USE ON WET SURFACES. DO NOT EXPOSE TO RAIN. STORE INDOORS.

All carpet extractors, no matter what the time of year, are shipped with antifreeze in the solution lines. Prior to first use, fill the tank with one quart of warm water. Attach the hose and using the hand tool wand, flush out the system by spraying the one quart of water through the pump.

- Attach the 1-1/2 inch vacuum hose and the brass quick disconnect.
- Fill the recovery tank with warm water (less than 100 degrees Fahrenheit). Fill to approximately 4 inches from the top. Pre-spray a liquid detergent made for carpet cleaning or upholstery on carpet and agitate carpet. Next, use clean water from solution tank to extract – this procedure is highly recommended. Note: read and mix your pre-spray solution to the dilution ratios as directed.
- Be sure to replace any filters back into the machine prior to use.
- DO NOT use citrus acid, buterol or harsh degreasers inside the machine.
- DO NOT use powdered detergents in this machine – will VOID warranty.

4.0 Set-Up and Operation

4.1 Attach the Power Cord

The machines comes with two (2) 25-foot, 12/3-gauge safety power cords.

- Locate the pigtail on the back of the machine's base.
- Plug the lighted end of the power cord into the pigtail.
- Plug the cord into a 20 AMP grounded wall outlet.

20 AMP circuits are normally found in kitchens and bathrooms. Never remove the ground prong from the plug. If a circuit breaker trips during operation, turn machine off, reset the breaker and move the electrical cord to a different outlet and resume operation.

4.2 Vacuum System

The extractor uses a dual vacuum motor system that provides outstanding water lift and air flow.

Vacuum Float Assembly Warning System:

The float assembly shut-off, located in the recovery tank on the vacuum stand pipe, prevents the waste tank from overflowing into the stand pipe and damaging the vacuum motor. The float assembly will cut-off vacuum to the waste tank. The motor will also reach a fast, high-pitched sound alerting you when the recovery tank is about to over flow. When this happens, immediately turn off the vacuum motor and empty the waste tank. If the operator continues to use machine after the tank is full, it will VOID the Warranty.

The float assembly has a filter to prevent debris from entering the stand pipe. Refer to the "Maintenance" section for removal and proper cleaning. It is also necessary to use low foaming chemicals or a defoamer to eliminate foam build-up in the recovery tank and damage to the vacuum motors.

If moisture enters the vacuum motors, contact an authorized service center. To prevent moisture from damaging the vacuum motors during storage, empty the recovery tank and store with the lid open.

4.3 Pump System

500 PSI model extractors have self-priming pumps. There is no need to prime this pump.

5.0 Maintenance

WARNING: Disconnect electrical power cord before performing any service or maintenance inside the machine base or before testing or repairing switches or power cords. Failure to do so may result in severe personal injury or death.

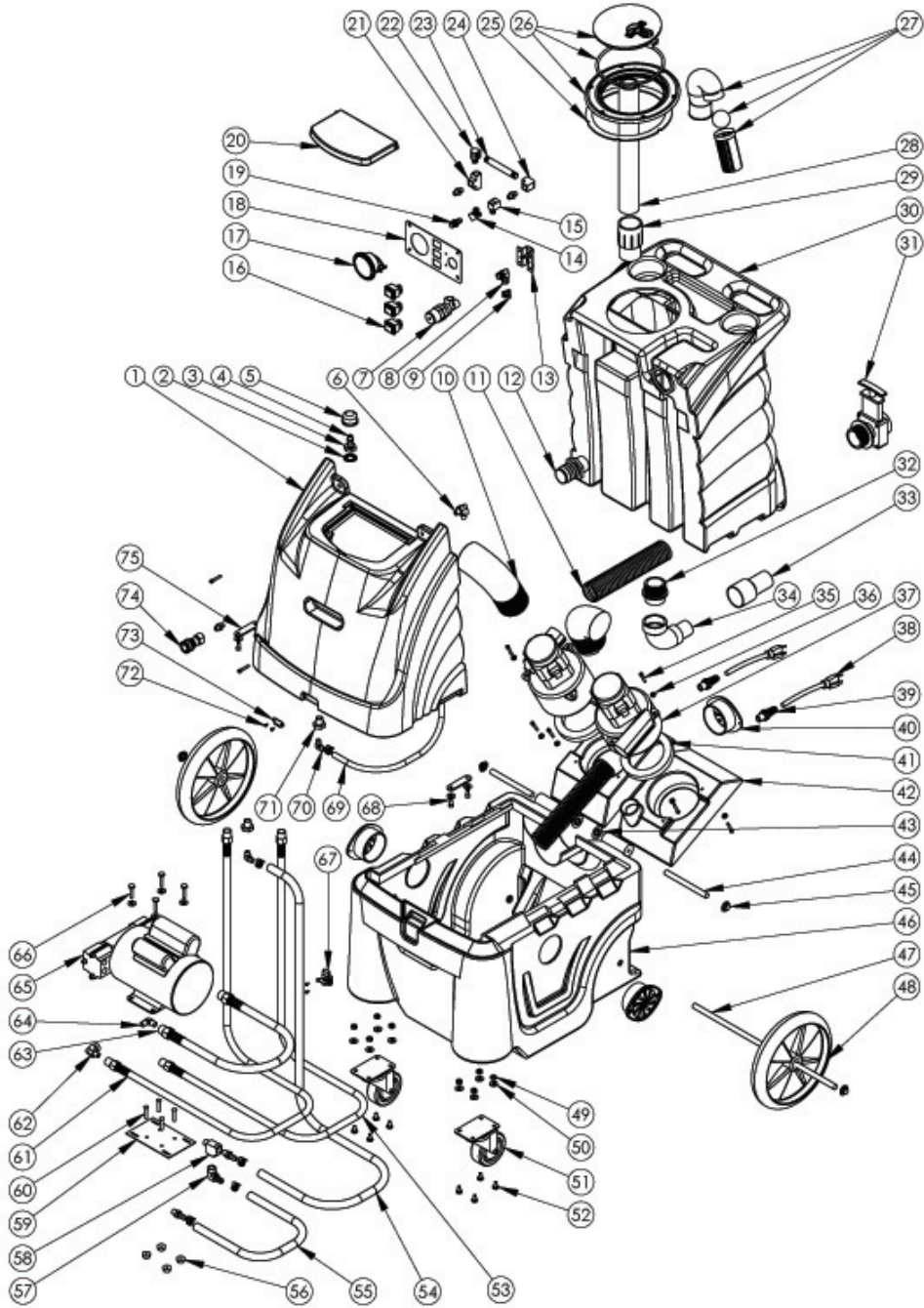
Regular maintenance is required to keep your Carpet Extractor in proper working condition. Failure to properly maintain your machine could void warranty. Thoroughly clean all equipment and accessories after each use:

- Rinse the solution and recovery tanks with clean water.
- Flush the pump system with clean water, including all hoses and wands.

11.0 Machine Parts List – No Heater

Drawing No.	Item ID	Item Description	Qty.
1	SN-12-ST-USIBLU	12-Gallon Solution Tank - Ultimate Blue	1.00
2	Part of Solution Tank	Insert Molded into Solution Tank	1.00
3	80-0017	Bulkhead Fitting	1.00
4		Part of 80-0017 Bulk Head Fitting	1.00
5	10-0846	1/4" MPT Hex Nipple	1.00
6	10-0845	1/8" Strainer	2.00
7	80-0080-UN	500 PSI Regulator / Unloader	1.00
8	80-0026	3/8" Barb x 1/4 MPT 90 Degree	3.00
9	10-0826	3/4" Hose Clamp	5.00
10	80-0001	Extractor Exhaust Hose	0.40
11	80-0003-A	1-1/2" Black Lined Gray Hose	2.00
12	10-0806	1-1/2" Grey Hose Barb Fitting	1.00
13	Bracket	Part of 80-0016 Pump	1.00
14	80-0006	45 Degree Street Elbow	1.00
15	80-0011	90 Degree Street Elbow	1.00
16	10-0803	Splash-proof Switch	3.00
17	80-0059	500 PSI Gauge	1.00
18	80-0013	500 PSI Switch Plate	1.00
19	Connector	Part of 80-0059 Gauge	1.00
20	SN-12-L-USIBLU	12-Gallon Lid - Ultimate Blue	1.00
21	80-0010	1/4" Brass Tee	2.00
22	80-0011-2	90 Degree Street Elbow	1.00
23	80-0004	1/4" x 4" Brass Nipple	1.00
24	10-0852	1/4" 90 Degree Brass Elbow	3.00
25	10-0804-A	Hatch Cover Gasket	1.00
26	10-0804	Hatch Cover	1.00
27	80-0012	Float Assembly	1.00
28	10-0416-A	1-1/2" Black ABS Stand Pipe	1.30
29	80-0008	1.5 PVC Female Adapter	1.00
30	SN-12-RT-USIBLU	12-Gallon Recovery Tank – Ultimate Blue	1.00
31	10-0805	Dump Valve for Extractor	1.00
32	10-0849	1-1/2" ABS Fitting	1.00
33	10-0155	Hose Cuff Straight	1.00
34	10-0848-B	1-1/2" 90 Degree ABS Street Elbow	3.00
35	10-0833	Motor Manifold Bolts	6.00
36	80-0116	Spacer for 3-Stage Extractor Motor Only	6.00
37	80-0811	2-Stage Extractor Motor	2.00
37	10-0810	3-Stage Extractor Motor	2.00
38	10-0838-A	Complete Pigtail (1 or 2 Depending on Model)	1.00/2.00
39	10-0850	Strain Relief for Pigtail - Part of 10-0838-A	1.00/2.00
39	10-0851	Strain Relief Nut for Pigtail - Part of 10-0838-A	1.00/2.00
40	10-0822	Exhaust Grate	3.00
41	10-1030-S2	2-Stage Extractor Motor Gasket	2.00
41	10-1030-S3	3-Stage Extractor Motor Gasket	2.00
42	SN-12-MFLD	Extractor Motor Manifold	2.00
43	10-0830	Hinge Keeper	1.00
44	10-0821	Extractor Hinge	2.00
45	10-0820	End Cap for Rod on Extractor	2.00
46	SN-12-MD-BLKGRAN	12-Gallon Motor Base – Black Granite	1.00
47	10-0836	19" Axle	1.00
48	10-0807	Wheels	1.00
49	10-0834	Pump Flat Washer	18.00

10.0 Machine Schematic Drawing – No Heater



5.0 Maintenance Continued

- Do not allow water to remain in the tanks after use.
- Lubricate all quick disconnects with WD-40 or similar lubricant.
- Clean vacuum float assembly screen.

Operation	Interval
Clean Fresh Water Tank Filter	Daily - After Each Job
Clean Vacuum Assembly Screen	Daily - After Each Job
Rinse Out Recovery Tank	Daily
Clean Pump Inlet Filter	Weekly - As Needed
Clean Pump In-Line Pump Filter (H2O Filter)	Weekly - As Needed
Clean Dump Valve	Weekly - As Needed
WD-40 Vacuum Motors	Weekly - As Needed
Prevent Mineral Deposit Build-Up	Every Two Weeks

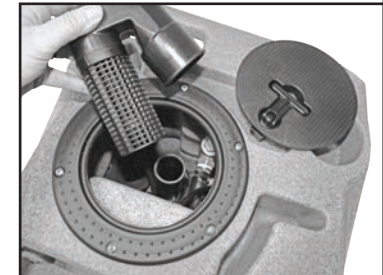
5.1 Clean Vacuum Float Assembly Screen

Inside the recovery tank, on top of the stand pipe, is the vacuum float assembly. It functions to prevent debris and water from being sucked into the vacuum motors. Operating the equipment without the float assembly or with a poorly maintained assembly, will greatly decrease the life of the vacuum motor and will VOID your warranty.

If debris builds up on this filter, it will reduce the vacuum air flow and may cause a significant decrease in the rate of water recovery. If debris prevents the float ball from moving or seating inside the assembly, it may not stop the airflow when the tank fills with water and water will be sucked in the vacuum and blow out the exhaust.

To clean, twist off the float assembly from the stand pipe and clean the screen. Pull fibers and lint off and rinse with clean water. Push the assembly back onto the stand pipe and replace the recovery tank lid.

This screen should be cleaned daily, especially if the carpet extractor is being operated in an environment which has an abnormal build-up of lint and debris, such as cleaning newly installed carpet. Loss of vacuum is most normally associated with lint build-up in this filter at the top of the vacuum stand pipe.



Vacuum Shut-Off Assembly

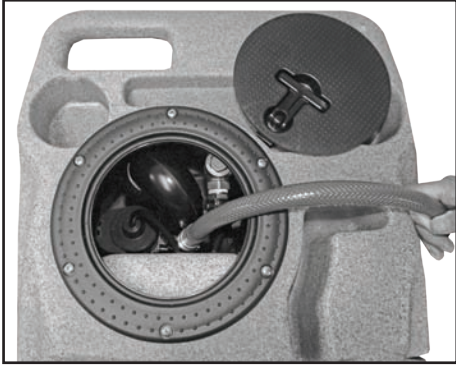
5.2 Rinse Out Recovery Tank

Build-up of fine silt and debris can damage the auto-dump pump and dump valve. Clean out the recovery tank on a regular basis to extend the life of these components as well as keep the tank and machine smelling better.

5.0 Maintenance Continued

5.2 Rinse Out Recovery Tank Continued

To rinse out recovery tank, remove the recovery tank lid and open the dump valve. Place a bucket under the dump valve. Use a hose to rinse the dirt and debris out of the recovery tank. Close the dump valve and spray the tank with deodorizer or disinfectant. Proceed to waste pump cleaning and replace the recovery tank lid. Dispose of dirty water and debris.



5.3 Clean Pump Inlet Filter

CAUTION: before proceeding with this procedure, make sure both the power cords are disconnected.

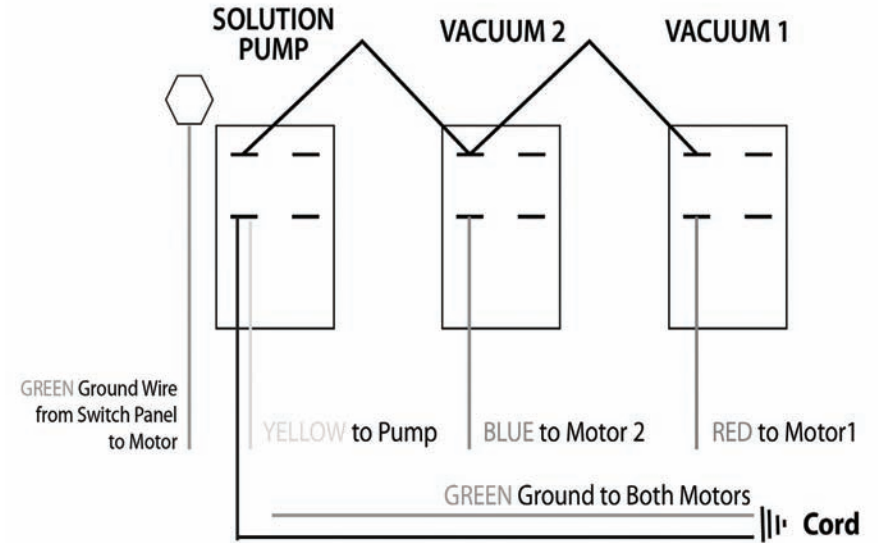
- To examine the filter, open the solution tank lid on the front of the machine. The filter is in the bottom of the solution tank.
- Grasp the filter cap and unscrew the filter from the brass nipple by turning counter-clockwise. Clean the filter by rinsing with fresh water. If necessary, use a tooth brush to remove detergent build-up. Replace as needed.



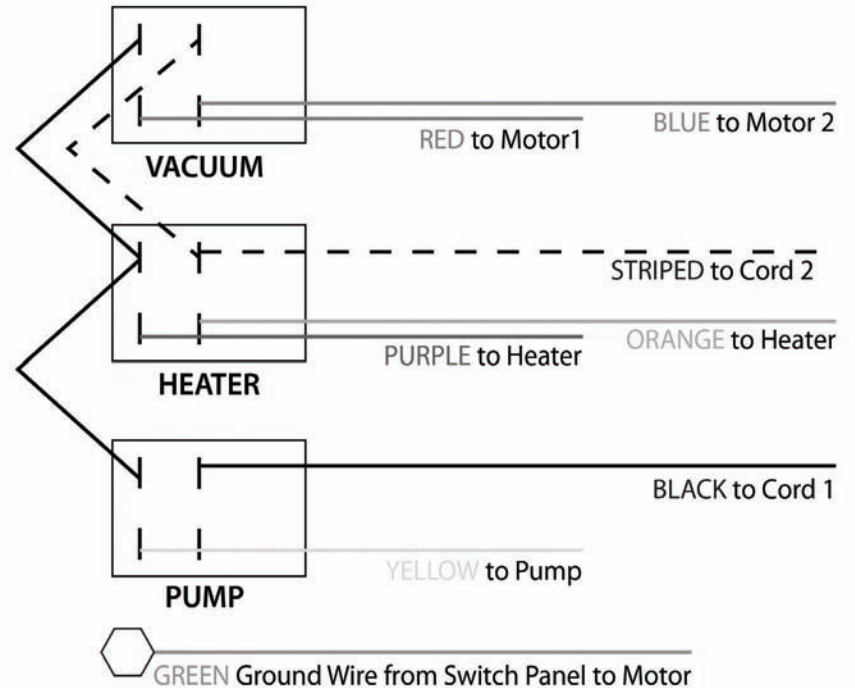
NOTE: a heavy build-up is a warning sign that the solution system should be flushed.

9.0 Machine Wiring Diagrams

9.1 Carpet Extractor - No Heat



9.2 Carpet Extractor - Heated Unit



8.0 Trouble Shooting Guide

CAUTION: Always disconnect the power cord before servicing equipment.

WARNING: Never operate this carpet extractor when the equipment is not performing as expected or when any part is visibly damaged. Repairs should only be performed by an authorized service center. Failure to do so will VOID warranty.

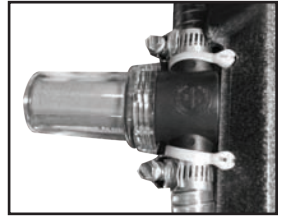
System	Problem	Possible Cause	Remedy
Vacuum System	No Vacuum / Weak Vacuum	<ol style="list-style-type: none"> Vacuum Tank Full Float Assembly Tank Screen Dirty Float Ball Stuck Damaged or Loose Vacuum Hose Dump Valve Open Access Lid not Sealed Vacuum Hose Clogged Air Intake Grid Clogged Leak in Recovery Tank Water Coming out of Vacuum Exhaust 	<ol style="list-style-type: none"> Empty Tank Clean the Screen with Water Tap Float to Unstick then Clean Attach or Replace Close Valve Replace Gasket Clear Debris Clean Clean and Dry Area, Patch with Silicone Use a Low Foaming Detergent
	Unit will not Turn On	<ol style="list-style-type: none"> Extension Cord not Plugged In Switch not in the "On" Position Building Circuit Overloaded Wiring Connections Loose 	<ol style="list-style-type: none"> Check if Machine and Cord are Plugged In Check Switches, Replace if Necessary Reset Circuit Unplug Machine and Check for Loose Wires
Electrical System	Burning Smell	<ol style="list-style-type: none"> Vacuum Motor Hung Up Pump Motor Hung Up 	<ol style="list-style-type: none"> Replace Vacuum Motor Replace Pump
	Pump is not Running Properly	<ol style="list-style-type: none"> No Power to the Pump Jets on Wand are Clogged In-Line Water Filter is Clogged Debris in Solution Tank Covering Inlet Kinked or Loose Hose Pump Failed Quick Disconnects are not Completely Locked Together Heater is Clogged with Deposits Pump is Pulsating Auto Prime Valve is Open 	<ol style="list-style-type: none"> Check the Electrical System Clean Jet Filters Clean In-Line Filter Clear Debris Check and Replace Hoses if Necessary Replace Pump Snap Quick Disconnects Together Flush Heater with System Maintainer or Replace if Necessary Check for Clogged Jets and Clean Close Valve
Pump System	Pump is not Running Properly	<ol style="list-style-type: none"> No Power to the Pump Jets on Wand are Clogged In-Line Water Filter is Clogged Debris in Solution Tank Covering Inlet Kinked or Loose Hose Pump Failed Quick Disconnects are not Completely Locked Together Heater is Clogged with Deposits Pump is Pulsating Auto Prime Valve is Open 	<ol style="list-style-type: none"> Check the Electrical System Clean Jet Filters Clean In-Line Filter Clear Debris Check and Replace Hoses if Necessary Replace Pump Snap Quick Disconnects Together Flush Heater with System Maintainer or Replace if Necessary Check for Clogged Jets and Clean Close Valve

5.0 Maintenance Continued

5.4 Clean In-Line Pump Filter

CAUTION: before proceeding with this procedure, make sure both the power cords are disconnected.

- Unlatch the base of the machine and tip the tanks back.
- Carefully expose the in-line filter in the motor base. Unscrew the clear H2O cup.
- Remove the screen from the cup. Be careful not to bend the screen.
- Rinse both the screen and cup with fresh water.
- Reassemble the H2O filter and replace it carefully into the motor base.
- Lift the tanks back onto the base and restore the latch.



IMPORTANT: this filter must be cleaned at least once a week to prevent water blockage to the pump.

5.5 Clean Dump Valve

The dump valve, located on the back of the machine, has a track inside of it. Open the dump valve and check the track for build-up. This build-up could prevent the dump valve from closing and cause leaking. Use a toothbrush to clean the track of the dump valve.

5.6 WD-40 Vacuum Motors

Should moisture ever enter the vacuum motors, completely drain the recovery tank, open the recovery tank lid, remove the vacuum float assembly, turn on the vacuum motor and spray a burst of WD-40 into the standpipe. Continue to run the vacuum motor for at least three (3) minutes.

To prevent moisture from damaging the vacuum motors during storage, empty the recovery tank and store with the lid open.

5.7 Prevent Mineral Deposit Build-Up

Vinegar may be used to prevent mineral deposit build-up in your machine's lines and pump. Failure to do so may clog your lines and pump. Every two weeks, pour vinegar into the solution tank (dilute with 1/2 water). Run the pump, while squeezing your wand or upholstery tool's trigger unit you smell vinegar or notice it coming out of the tool. Let the machine sit overnight, and no longer, with the vinegar in its lines. The next day, flush the machine with 1-gallon of clean water or until you do not smell vinegar any longer.

PLEASE NOTE: If you choose to use CLR, follow the directions on the bottle. DO NOT leave CLR in the machine's lines and flush thoroughly. CLR may corrode the machine's components and VOID your warranty. If you choose to use vinegar, you MUST dilute with 1/2 water. Failure to do so may damage the machine's components and VOID your warranty.

6.0 Shutdown Procedures

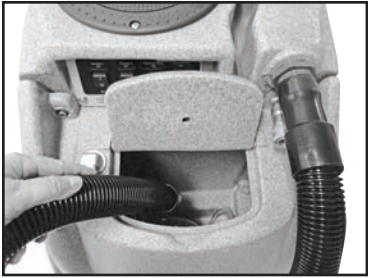


Figure 1

- When finished cleaning, turn OFF all switches.
- Disconnect the solution hose and vacuum hose from the cleaning tool. Pull the valve trigger to release pressure from the hose before disconnecting the solution hose from the cleaning tool.

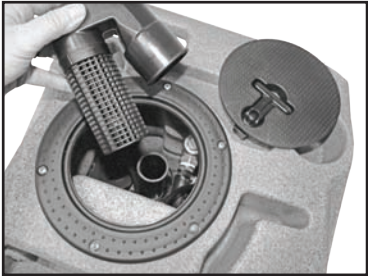


Figure 2

- If water remains in the solution tank, use the vacuum hose and vacuum the excess water from the tank (Figure 1).
- Disconnect the power cords from the outlets and from the machine.
- Remove the float assembly from the recovery tank and clean filter as needed. Replace float assembly and tank lid (Figure 2).



Figure 3

- Drain any remaining water from the recovery tank and dispose of in a sanitary drain. **CAUTION:** use separate buckets to drain and fill the tank. Even the smallest debris can cause issues (Figure 3)
- Disconnect and roll-up all hoses and tools. Store machine and accessories in a dry space.

7.0 Storing your Carpet Extractor

Store your carpet extractor in temperatures over 40 degrees Fahrenheit. To prevent moisture from damaging the vacuum motor during storage, empty the recovery tank and store with the lid open. Store in an upright position in a dry area

If you plan on storing your extractor in freezing conditions or for a long period of time, you must winterize your carpet extractor to protect the pump from freezing also damage being caused to fittings and valves. Damage due to freezing is NOT covered under the warranty. The following procedure should help prevent your carpet extractor from freezing and prevent pump and seals from drying out.

Recommended Procedure for Storage

- In a separate container, mix 1/2-gallon of water with 1/2-gallon of RV Water System Antifreeze. Mix well and pour into the solution tank.
- Connect the solution hose to the front of the machine.
- Use the wand to spray the mixture into a bucket.
- Vacuum the excess mixture out of the solution tank and into the recovery tank. Dispose of the antifreeze properly.

To return to service, flush the pressure system by repeating the above steps, using fresh water in place of antifreeze.